

Drip Emitters

Category 1 Retail Price List

Effective November 2, 2015

Item	Description	Stock No.	Model No.	Specifications	List Price (Ea)	Ctn. Qty.	Ctn. Ship Wt. (lbs.)
NonStop "SB" Series Emitters 	Single barb outlet, 0.250" and 0.175" barbs on opposite ends; either can be used as inlet.	6120	SB-06	0.6 GPH @ 20 PSI (Green End)	\$0.80	1000	15.0
		6121	SB-10	1.0 GPH @ 20 PSI (Blue End)	\$0.80	1000	15.0
		6123	SB-20	2.0 GPH @ 20 PSI (Red End)	\$0.80	1000	15.0
		6124	SB-30	3.0 GPH @ 20 PSI (Yellow End)	\$0.80	1000	15.0
NonStop "SL200" Series Emitters 	Single outlet, 1/2" FPT inlet, barbed elbow outlet port.	6034	SL206	0.6 GPH @ 20 PSI (Green Port)	\$2.17	500	15.0
		6035	SL210	1.0 GPH @ 20 PSI (Blue Port)	\$2.17	500	15.0
		6036	SL220	2.0 GPH @ 20 PSI (Red Port)	\$2.17	500	15.0
		6037	SL230	3.0 GPH @ 20 PSI (Yellow Port)	\$2.17	5.00	15.0
		6039	S L280	8.0 GPH @ 20 PSI (Black Port)	\$2.17	5.00	15.0
NonStop "M200" Series 	6 outlets open, 0.250" barb inlet. Includes full set of elbow/outlet caps and line plugs.	7063	M206	0.6 GPH @ 20 PSI (Green Cap)	\$5.61	200	24.0
		7064	M210	1.0 GPH @ 20 PSI (Blue Cap)	\$5.61	200	24.0
		7066	M220	2.0 GPH @ 20 PSI (Red Cap)	\$5.61	200	24.0
NonStop "ML200" Series 	6 outlets open, 1/2" FPT inlet. Includes full set of elbow/outlet caps and line plugs.	7068	ML206	0.6 GPH @ 20 PSI (Green Cap)	\$6.71	200	27.0
		7069	ML210	1.0 GPH @ 20 PSI (Blue Cap)	\$6.71	200	27.0
		7071	ML220	2.0 GPH @ 20 PSI (Red Cap)	\$6.71	200	27.0
Series "2000" Flow Distributor 	6 outlets open, 1/2" FPT inlet; self-regulating to 100 PSI. Includes full set of elbow/outlet caps and line plugs.	6075	FD-2010	1.0 GPH (Blue Cap)	\$13.80	25	5.0
		6080	FD-2020	2.0 GPH (Red Cap)	\$13.80	25	5.0

Items not listed above may be available on special order. Please consult your authorized Bowsmith distributor. This price list replaces all previous price lists; prices subject to change without notice.

Drip Emitters

Category 1 Retail Price List

Effective November 2, 2015





Item	Description	Stock No.	Model No.	Specifications	List Price (Ea)	Ctn. Qty.	Ctn. Ship Wt. (lbs.)
 NonStop® "Gripper" Series	Single outlet, barb inlet, gripper sleeve. *(1)	6050	NSG-06	0.6 GPH @ 20 PSI (Green End)	\$0.82	1000	12.0
		6051	NSG-10	1.0 GPH @ 20 PSI (Blue End)	\$0.82	1000	12.0
		6053	NSG-20	2.0 GPH @ 20 PSI (Red End)	\$0.82	1000	12.0
 NonStop "Shur-lok" Series	Single outlet, twin barb connection. *(2)	6065	NSS-06	0.6 GPH @ 20 PSI (Green End)	\$0.82	1000	11.0
		6066	NSS-10	1.0 GPH @ 20 PSI (Blue End)	\$0.82	1000	11.0
		6067	NSS-20	2.0 GPH @ 20 PSI (Red End)	\$0.82	1000	11.0
 NonStop "VG" Series Emitters	Single outlet, single barb connection. Clip/wire retention hook for vine trellis wire installations. *(2) Model numbers ending with "-7" fit Bowsmith 700 series size tubing; those ending with "-8" fit Bowsmith 800 series size tubing.	6108	VGN-06-7	0.6 GPH @ 20 PSI (Green End)	\$1.10	2000	25.0
		6109	VGN-10-7	1.0 GPH @ 20 PSI (Blue End)	\$1.10	2000	25.0
		6110	VGN-20-7	2.0 GPH @ 20 PSI (Red End)	\$1.10	2000	25.0
		6112	VGN-06-8	0.6 GPH @ 20 PSI (Green End)	\$1.10	2000	25.0
		6113	VGN-10-8	1.0 GPH @ 20 PSI (Blue End)	\$1.10	2000	25.0
		6114	VGN-20-8	2.0 GPH @ 20 PSI (Red End)	\$1.10	2000	25.0
 Tru-Flo™ "Gripper" Series	Single outlet, turbulent flow, gripper sleeve. *(1)	6090	TFG-05	0.5 GPH @ 15 PSI (Green End)	\$0.45	1000	12.0
		6091	TFG-10	1.0 GPH @ 15 PSI (Blue End)	\$0.45	1000	12.0
 Tru-Flo "Shur-lok" Series	Single outlet, turbulent flow, twin barb connection. *(2)	6095	S-05	0.5 GPH @ 15 PSI (Green End)	\$0.45	1000	11.0
		6096	TFS-10	1.0 GPH @ 15 PSI (Blue End)	\$0.45	1000	11.0
 Tru-Flo "VG" Series Emitters	Single outlet, turbulent flow, single barb connection. Clip/wire retention hook for vine trellis wire installations. *(2) Model numbers ending with "-7" fit Bowsmith 700 series size tubing; those ending with "-8" fit Bowsmith 800 series size tubing.	6100	VGT-05-7	0.5 GPH @ 15 PSI (Green End)	\$0.65	2000	25.0
		6101	VGT-10-7	1.0 GPH @ 15 PSI (Blue End)	\$0.65	2000	25.0
		6104	VGT-05-8	0.5 GPH @ 15 PSI (Green End)	\$0.65	2000	25.0
		6105	VGT-10-8	1.0 GPH @ 15 PSI (Blue End)	\$0.65	2000	25.0
<p>*(1) Gripper series emitters available with factory installation on Bowsmith tubing. *(2) Shur-lok and "VG" series are NOT available with factory installation on Bowsmith tubing. Please consult your authorized Bowsmith distributor for details. All drip tube with factory installed emitters are custom orders and are nonreturnable.</p>							

Items not listed above may be available on special order. Please consult your authorized Bowsmith distributor. This price list replaces all previous price lists; prices subject to change without notice.

Fan-Jet[®] Microsprinklers

Category 2 Retail Price List

Effective November 2, 2015

Item	Description	Stock No.	Specification	List Price (Ea)
	<ul style="list-style-type: none"> • Fan-Jet head • Feeder tube • Standard barbed • SK-J stake (black) –or– SK-C stake (black) 	8519	with 24" PE tubing	\$1.39
		8520	with 36" PE tubing	\$1.45
		8523	with 48" PE tubing	\$1.53
		8521	with 72" PE tubing	\$1.77
		8530	with 24" vinyl tubing	\$1.55
		8507	with 36" vinyl tubing	\$1.61
		8534	with 48" vinyl tubing	\$1.77
		8304	with 72" vinyl tubing	\$2.17
SK assemblies with Fan Jet "PC" Series Pressure Compensators midway, add				\$1.24
	<ul style="list-style-type: none"> • Fan-Jet head • Heavy wall PE riser • Choice of spike: SP-T (threaded riser connection) –or– SP-B (barb riser connection) 	8655	with 3" riser	\$1.31
		8656	with 6" riser	\$1.39
	<ul style="list-style-type: none"> • Fan-Jet head • Feeder Tube • 0.245" O.D. X 0.160" I.D. • Weighted sleeve • Barbed coupling 	8686	With 12" feeder tube	\$1.33
All Fan-Jet assemblies are custom orders and are non-returnable				
	<ul style="list-style-type: none"> • Barb inlet and outlet • Wide regulating range • Self-Flushing • High clog resistance 	3229	PC-4 (brown) 4.0 GPH	\$1.05
		3230	PC-6 (black) 6.0 GPH	\$1.05
		3231	PC-8 (orange) 8.0 GPH	\$1.05
		3232	PC-10 (blue) 10.0 GPH	\$1.05
		3233	PC-12 (gray) 12.0 GPH	\$1.05
		3234	PC-14 (violet) 14.0 GPH	\$1.05
		3235	PC-18 (green) 18.0 GPH	\$1.05

Items not listed above may be available on special order. Please consult your authorized Bowsmith distributor.





This price list replaces all previous price lists; prices subject to change without notice.

All Fan-Jet assemblies are custom orders and are nonreturnable.

Fan-Jet® Microsprinklers

Category 2 Retail Price List

Effective November 2, 2015

Item	Description	Stock No.	Specification	List Price (Ea)
Fan-Jet® Components				
 <p>SK-J SK-C SP-1</p>	SK-J Stake <i>available only in 400/carton qty.</i>	3072	for SK Series sprinklers–black	\$0.57
		3071	for SK Series sprinklers–yellow	\$0.64
	SK-C Stake <i>available only in 300/carton qty.</i>	3178	for SK Series sprinklers–black	\$0.57
		3179	for SK Series sprinklers–yellow	\$0.64
	SP-1 Spike	3018	SP-T spike (thread riser connection)	\$0.57
		3028	SP-B spike (barb riser connection)	\$0.57
		3074	SP-B spike with 3" riser	\$0.90
		3075	SP-B spike with 6" riser	\$0.97
		3088	SP-T spike with 3" riser	\$0.90
3089		SP-T spike with 6" riser	\$0.97	
	Risers for TB & SP Series	532	3" length	\$0.22
		534	6" length	\$0.29
		535	9" length	\$0.36
		536	12" length	\$0.44
	Feeder Tube with Coupling	3097	24" PE with Coupling	\$0.42
		3098	36" PE with Coupling	\$0.46
		3099	48" PE with Coupling	\$0.53
		3219	72" PE with Coupling	\$0.75
		3708	24" Vinyl with Coupling	\$0.62
		3711	36" Vinyl with Coupling	\$0.72
		3712	48" Vinyl with Coupling	\$0.90
		3714	72" Vinyl with Coupling	\$1.40
	Threaded Base with Risers	3090	3/8" MPT with 3" riser	\$0.67
		3091	3/8" MPT with 6" riser	\$0.77
		3100	1/2" MPT with 3" riser	\$0.67
		3101	1/2" MPT with 6" riser	\$0.77
		3102	1/2" MPT with 12" riser	\$0.90

Items not listed above may be available on special order. Please consult your authorized Bowsmith distributor.
 This price list replaces all previous price lists; prices subject to change without notice.
All Fan-Jet assemblies are custom orders and are nonreturnable.

Fan-Jet® Microsprinklers

Category 2 Retail Price List

Effective November 2, 2015

Fan-Jet Sprinkler Heads



List Price \$0.54 Ea
 Standard Package: 1000/bag For 100/bag, add 0.50/bag
 For 500/bag, add 1.00/bag

Available only in bag quantities of 100, 500 or 1000

Tables show Stock Numbers for specified spray pattern and nozzle size.

Standard Fan-Jet Heads

		Spray Patterns					
		A	B	C	E	J2	R
Nozzle Sizes	30 (Black)	3800	3801	3802	3804	3808	3812
	35 (Orange)	3814	3815	3816	3818	3821	3825
	40 (Blue)	3827	3828	3829	3831	3834	3838
	45 (Violet)	3840	3841	3842	3844	3846	3850
	50 (Green)	3852	3853	3854	3856	3859	3863
	55 (Yellow)	3865	3866	3867	3869	3871	3874
	60 (Red)	3875	3876	3877	3879	3882	3886
Shaded areas are not recommended due to pattern flooding.							

For special order Fan-Jet heads, please see other side. ➔

This price list replaces all previous price lists; prices subject to change without notice.

Fan-Jet® Microsprinklers

Category 2 Retail Price List

Effective November 2, 2015

Fan-Jet Sprinkler Heads



List Price\$0.54 Ea
 Standard Package: 1000/bag For 100/bag, add 0.50/bag
 For 500/bag, add 1.00/bag

Available only in bag quantities of 100, 500 or 1000

Tables show Stock Numbers for specified spray pattern and nozzle size.

The special order Fan-Jet heads shown in the tables on this page are NOT returnable. Please allow 2-3 weeks for delivery of large quantities.

Special Order Fan-Jet Heads

		Spray Patterns					
		B1	D	F	G	H	K
Nozzle Sizes	30 (Black)	3920	3803	3805	3902	3806	3809
	35 (Orange)	3921	3817	3819	3903	3820	3822
	40 (Blue)	3922	3830	3832	3904	3833	3835
	45 (Violet)	3923	3843	3845	3905	3896	3847
	50 (Green)	3924	3855	3857	3906	3858	3860
	55 (Yellow)	3925	3868	3870	3907	3897	3872
	60 (Red)	3926	3878	3880	3908	3881	3883

Shaded areas are not recommended due to pattern flooding.

		Spray Patterns					
		L	N	P	U	V	X
Nozzle Sizes	30 (Black)	3810	3811	3964	3901	3971	3813
	35 (Orange)	3823	3824	3965	3958	3972	3826
	40 (Blue)	3836	3837	3966	3959	3973	3839
	45 (Violet)	3848	3849	3967	3960	3974	3851
	50 (Green)	3861	3862	3968	3961	—	3864
	55 (Yellow)	3873	3889	—	3962	—	3898
	60 (Red)	3884	3885	—	3963	—	3887

Shaded areas are not recommended due to pattern flooding.

Items not listed above may be available on special order. Please consult your authorized Bowsmith distributor.
 This price list replaces all previous price lists; prices subject to change without notice.

Fan-Jet® Microsprinklers

Category 2 Retail Price List

Effective November 2, 2015

FAN-JET **PLUS**™ Sprinkler Heads



List Price.....\$0.95 Ea
Standard Package: 250/bag

Available only in bag quantities of 250

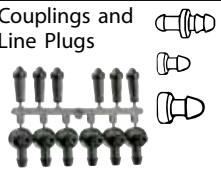


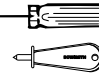
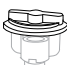

Tables show Stock Numbers for specified spray pattern and nozzle size.

		Spray Patterns			
		A+	B+	J+	U+
Nozzle Sizes	30 (Black)	4001	*NA	4030	*NA
	35 (Orange)	4002	4011	4031	4041
	40 (Blue)	4003	4012	4032	4042
	45 (Violet)	4004	4013	4033	4043
	50 (Green)	4005	4014	4034	4044
	55 (Yellow)	4006	4015	4035	4045
	60 (Red)	4007	4016	4036	4046
*NA-Not Available		Shaded areas not recommended.			

Irrigation Accessories

Category 3 Retail Price List

Effective November 2, 2015

Description	Stock No.	Model No.	Specifications	List Price (Ea)	Ctn. Qty.	Ctn. Ship Wt. (lbs)
Emitter Accessories						
Couplings and Line Plugs 	2025	BC-25	Coupling, 0.250" Single Barb x 0.250" Double Barb	\$0.54	1000	2.6
	9504	—	Line Plug, 0.175" Barb	\$0.07	1000	1.0
	9505	—	Line Plug, 0.250" Barb	\$0.17	1000	1.5
	2054	—	Accessory Pack for M/ML200, Series 2000 emitters	\$1.06	100	3.0
Adapters	3020	—	Adapter, 0.175" Barb x 0.250" Barb	\$0.35	1000	2.5
Fan-Jet® Accessories						
Restrictor Couplings 	1110	R1	6.0 GPH (Black)	\$0.44	1000	2.5
	1111	R2	8.4 GPH (Orange)	\$0.44	1000	2.5
	1112	R3	10.7 GPH (Blue)	\$0.44	1000	2.5
	1113	R4	14.1 GPH (Violet)	\$0.44	1000	2.5
	1114	R5	16.7 GPH (Green)	\$0.44	1000	2.5
Couplings and Line Plugs 	3019	—	Coupling, 0.175" Barb both ends	\$0.19	1000	2.3
	3109	—	Base, 3/8" MPT (for TB Series Fan-Jets)	\$0.59	2000	7.5
	3110	—	Base, 1/2" MPT (for TB Series Fan-Jets)	\$0.59	2000	12.0
Hand Tools 	9604	—	Nozzle Cleaner, Type 2 Fan-Jet heads	\$5.30	25	0.5
	1093	—	Hole Punch, plastic	\$0.54	100	1.5
Top Hat™ Throw Limiters 	3146	—	Fits Fan-Jet Type 2 Sprinkler Heads (head not included)	\$0.19	500	2.0
Nursery Accessories						
Spray Stakes 	1085	JS-30	Jet Stake, 3.0 GPH @ 20 PSI (Yellow)	\$0.36	100	1.1
	1081	JS-52	Jet Stake, 5.2 GPH @ 20 PSI (Brown)	\$0.36	100	1.1
	1082	JS-60	Jet Stake, 6.0 GPH @ 20 PSI (Black)	\$0.36	100	1.1
	1083	JS-84	Jet Stake, 8.4 GPH @ 20 PSI (Orange)	\$0.36	100	1.1

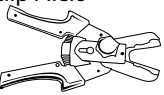


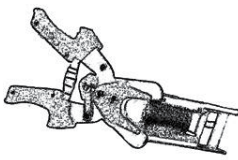

Items not listed above may be available on special order. Please consult your authorized Bowsmith distributor. This price list replaces all previous price lists; prices subject to change without notice.

Irrigation Accessories

Category 3 Retail Price List

Effective November 2, 2015

Vine Clip™ Clamping System

Description	Stock No.	Model No.	Specifications	List Price (Ea)	Ctn. Qty.	Ctn. Ship Wt. (lbs)
Vine Clip Pliers 700 Series 	1025	Model 140	Works with E-45 Magazine Assembly.	\$292.86	1	1.0
Vine Clip Magazine 700 Series 	1026	E-45	Works with E-45 Vine Clips. Magazine holds 36 Vine Clips.	\$96.62	1	0.6
Vine Clips 700 Series 	1027	Model E-45	2mm galvanized wire. Hose O.D.: 17–20mm (0.670–0.787 in.)	\$53.46/Box	650/box 8 bxs/cs	2.7
Vine Clip Pliers/Magazine 800 Series 	1028	Model 150	Works with E-50 Vine Clips. Magazine holds 36 Vine Clips.	\$388.91	1	1.6
Vine Clips 800 Series 	1029	E-50	2mm galvanized wire. Hose O.D.: 21–24mm (0.827–0.945 in.)	\$51.27/Box	500/box 10 bxs/ cs.	2.4

Items not listed above may be available on special order. Please consult your authorized Bowsmith distributor.
This price list replaces all previous price lists; prices subject to change without notice.